

# IC 12 MONITOR



## Industrial Monitor Display

## DATASHEET

### Description

The IC Monitor Series is a stud-mounted drop-in replacement front interface module for Legacy Dynics M15 & M17 monitors and utilizes the "Quick Release" bezel system for simple serviceability.

The IC Series can be coupled with the various PIX, MTX3, FGX7, ATX7, and MAF4 chassis to form a complete industrial computer solution in a slim panel PC format.

### Key Features

- "Quick Release" system for simple service and replacement
- Stud mounted with two bezel options: stainless steel and black powder coated
- Available in 10", 12", 15", 17" and 19" TFT LCD sizes



### Specifications

IC MONITOR	
SPECS	IC12
Display Size	12.1" TFT LCD
Resolution	SVGA 800 x 600
Viewing Angle	H: -70°/+70°, V: -60°/+50°
Contrast Ratio	500:1
Brightness	400 nits
Bulb Life	CCFT Back Life estimated to be about 50,000 hours
Interface Lens	5-Wire analog resistive touch sensor OR Protective lexan lens
Mounting Bezel	NEMA 4 Powder coated aluminum OR NEMA 4X stainless steel
Warranty	18 Month Limited Warranty. Extended warranty available, contact us for more details

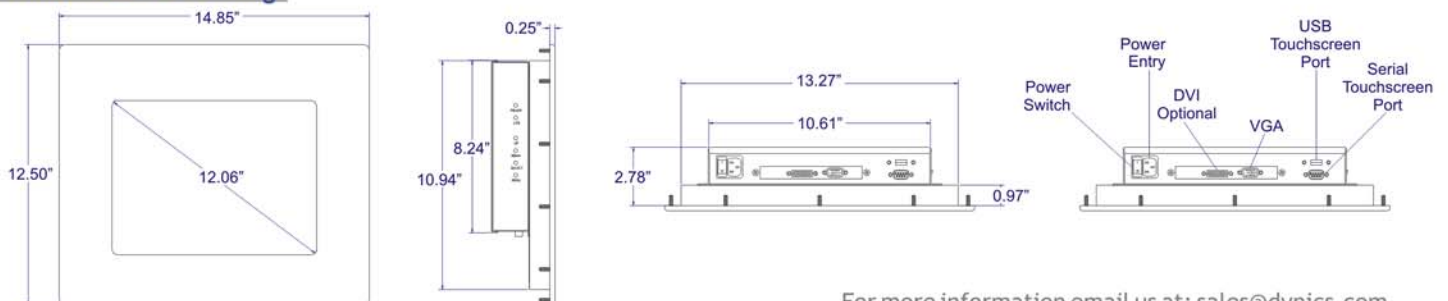
### Dimensions

FRONT DIMENSIONS	
	IC12
Height	12.5"
Width	14.8"
Depth	2.7"
Weight	13.75 lbs

PANEL CUTOUT DIMENSIONS	
	IC12
Height	10.9"
Width	13.2"

All measurements are in inches and pounds, unless noted. Picture and drawings are not to scale. Estimated weight may change depending on additional options. Dynics reserves the right to change, modify, upgrade or discontinue to its discretion any part of this datasheet without any prior notice.

### Mechanical Drawing



For more information email us at: [sales@dynics.com](mailto:sales@dynics.com)

Visit us online at:  
[www.dynics.com](http://www.dynics.com)

**DYNICS**

4330 Varsity Drive, Ann Arbor, MI 48108  
Ph. 734.677.6100 • Fax: 734-677-6105

