

PX-PIX SERIES



Industrial Integrated Touch PC - 10" to 22"

DATASHEET

Description

The PX Series is a complete line of interactive displays ranging in size from 10" to 22" featuring Analog Resistive Touch screen technology for unparalleled performance and superior visual.

The PX Series come with optional stand or equipped to be wall mounted with a 100x100mm and 200x200mm VESA Pattern.

Key Features

- Rugged modular steel construction built to order
- Optional Integrated Computer /Speakers.
- Landscape and Portrait Mode
- Wide range of finish options and customizable peripherals

Specifications



PX ENCLOSURE MONITORS

SPECS	PX10	PX12	PX15	PX17	PX19	PX22
Display Size	10.4" TFT LCD	12.1" TFT LCD	15.1" TFT LCD	17.1" TFT LCD	19" TFT LCD	22"LCD WIDESCREEN
Resolution	SVGA 800 x 600	SVGA 800 x 600	XGA 1024 x 768	SXGA 1280 x 1024	SXGA 1280 x 1024	WSXGA 1680 x 1050
Viewing Angle	H: -40°/+60°, V: -60°/+60°	H: -70°/+70°, V: -60°/+50°	H: -70°/+70°, V: -65°/+70°	H: -70°/+70°, V: -65°/+70°	H: -89°/+89°, V: -89°/+89°	H: -75°/+75°, V: -89°/+89°
Contrast Ratio	500:1	500:1	700:1	800:1	1000:1	1000:1
Brightness	400 nits	400 nits	350 nits	300 nits	300 nits	300 nits
Bulb Life	CCFT Back Life estimated to be about 50,000 hours					
Interface Lens	5-Wire analog resistive touch sensor OR Protective lexan lens					
Mounting Bezel	NEMA 4 Powder coated aluminum					
Warranty	24 Month Limited Warranty. Extended warranty available, contact us for more details					

PIX ENCLOSURE PC

SPECS	PIX0
Expansion Slots	0 PCI Slot
System	Mini-ITX ATI Radeon: X1250 Graphics Up to 8Gb RAM, 2x 1Gb LAN, 4x USB 2.0, 1x IEEE, 1x RS232,PS/2, Audio I/O, DVI, VGA, Mini-ITX Intel GM45: Up to 4Gb DDR2, 1xPCI, 4xUSB, 5x RS232, 2x Ethernet, 1x PS/2, DVI, VGA, HDMI Mini-ITX Intel Atom: 2x Ethernet Intel 1 Gb Ports, 4x USB 2.0, 2x RS232, Audio I/O
CPU	AMD Mobile Turion, Core Solo Mobile, Core Duo Mobile, Core 2 Duo Mobile, Atom
Operating System	Windows XP Pro, Windows XP Embedded, Windows 2000, Windows Vista, Windows 7, ROMDOS
Memory	1.0Gb to 8Gb DDR or DDR2
Storage Drives	2.5" SATA or PATA Hard Drives / 2.5" Solid State Drives / Industrial Compact Flash Cards
Media Drives	Slim DVD/DVD-RW/CD/CD-RW [Inside access only]
Power Supply	1U 120~240 VAC Power Supply or Open Frame Fanless 24VDC Power Supply
Temperature	0°~50°C (32°~122°F) Operating / -25°~60°C (-4°~140°F) Non-Operating
Relative Humidity	10% ~ 95% Non-Condensing
Shock	10G Operating / 15G Non-Operating
Vibration	1.0G from 57-2000 Hz Operating / 2.5G from 57-2000 Hz Non-Operating
Warranty	24 Month Limited Warranty. Extended Warranty Available, Contact Us For More Details

Visit us online at:
www.dynics.com

DYNICS

4330 Varsity Drive, Ann Arbor, MI 48108
 Ph. 734.677.6100 • Fax: 734-677-6105



PX-PIX SERIES

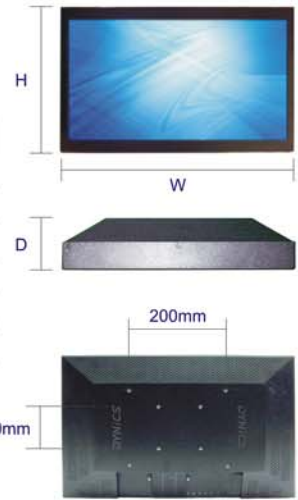


Industrial Integrated PC - 10" to 22"

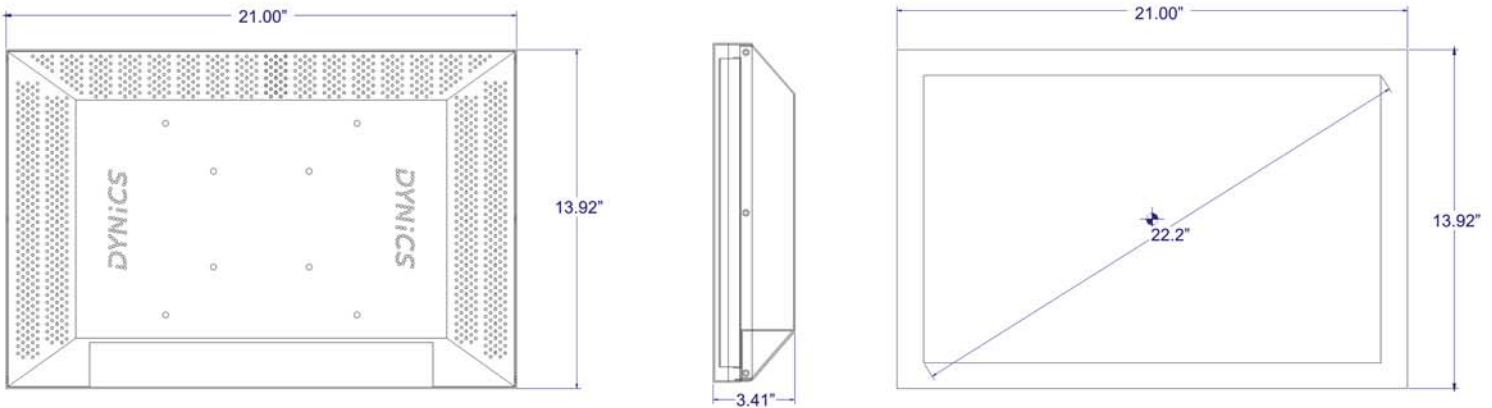
DATASHEET

Dimensions

PX-PIX DIMENSIONS						
	PX10	PX12	PX15	PX17	PX19	PX22
Height	9.8"	11.0"	11.8"	14.0"	15.4"	13.9"
Width	13.2"	13.8"	15.8"	17.8"	18.8"	21.0"
Depth	3.25"	3.25"	3.25"	3.25"	3.25"	3.44"
Diagonal	10.4"	12.1"	15.1"	17.1"	19.0"	22.2"
VESA	100 x 100 mm	100 x 100 mm	100 x 100 mm	100 x 100 mm	100 x 100 mm	100 x 100 mm
	200 x 200 mm	200 x 200 mm	200 x 200 mm	200 x 200 mm	200 x 200 mm	200 x 200 mm



Mechanical Drawing



All measurements are in inches and pounds, unless noted. Picture and drawings are not to scale.
 Estimated weight may change depending on additional options.
 Dynics reserves the right to change, modify, upgrade or discontinue to its discretion any part of this datasheet without any prior notice.

Mounting Options



WallMount Ready with VESA Pattern
 100x100mm
 200x200mm



Optional Table Base Stand

For more information email us at: sales@dynics.com

Visit us online at:
www.dynics.com

DYNICS
 4330 Varsity Drive, Ann Arbor, MI 48108
 Ph. 734.677.6100 • Fax: 734-677-6105

