

WX MONITOR



Industrial Monitor Display

DATASHEET

Description

The WX Monitor Series is a replacement interface module for Legacy WebLink and PanelLink systems.

The WX 15" and 17" Monitors can be coupled with the various PIX, MTX3, FGX7, ITX3 and ATX7 chassis to form a complete industrial computer solution in a slim or rugged panel PC format.

Key Features

- Designed for replacement of Legacy Weblink and PanelLink models.
- Optimal for prolonged indoor industrial use.
- Available with 15" and 17" TFT LCD Monitor sizes



Specifications

WX MONITORS		
SPECS	WX 15	WX 17
Display Size	15.1" TFT LCD	17.1" TFT LCD
Resolution	XGA 1024 x 768	SXGA 1280 x 1024
Viewing Angle	H: -70°/+70°, V: -65°/+70°	H: -70°/+70°, V: -65°/+70°
Contrast Ratio	700:1	800:1
Brightness	350 nits	300 nits
Bulb Life	CCFT Back Life estimated to be about 50,000 hours	
Interface Lens	5-Wire analog resistive touch sensor OR Protective lexan lens	
Mounting Bezel	NEMA 4 Powder coated aluminum OR NEMA 4X stainless steel	
Warranty	24 Month Limited Warranty. Extended warranty available, contact us for more details	

Bezels



NEMA 4 Black Powder Coat



NEMA 4X Stainless Steel

For more information email us at: sales@dynics.com

Visit us online at:
www.dynics.com

DYNICS

4330 Varsity Drive, Ann Arbor, MI 48108
Ph. 734.677.6100 • Fax: 734-677-6105



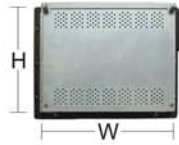
WX MONITOR



Industrial Monitor Display

DATASHEET

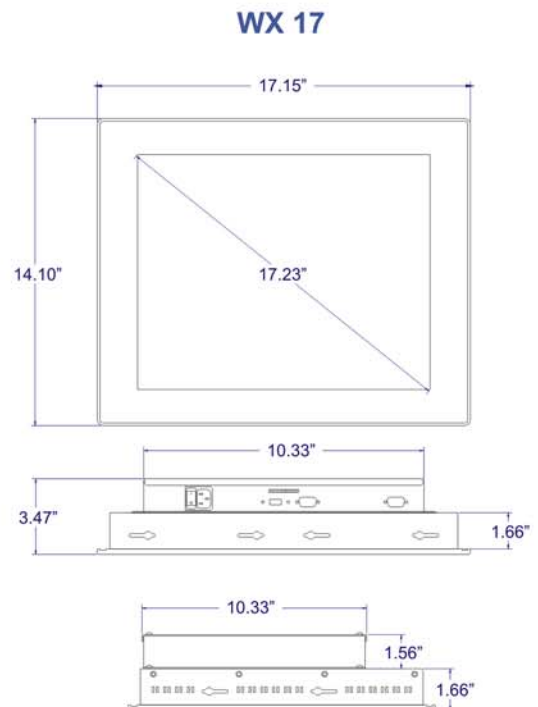
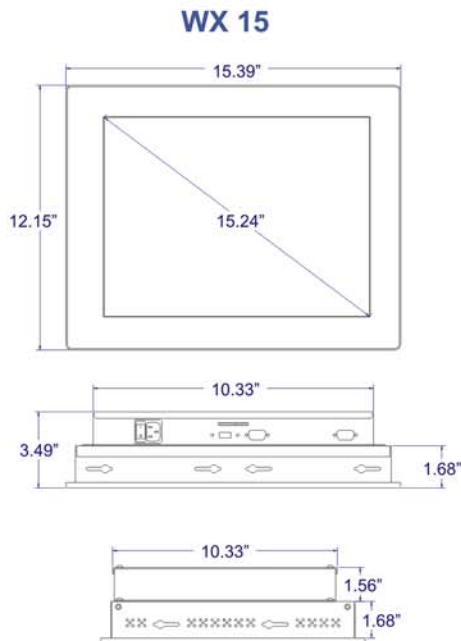
Dimensions



	FRONT DIMENSIONS	
	WX15	WX17
Height	12.1"	14.1"
Width	15.8"	17.1"
Depth	3.2"	3.2"
Weight	13.35 lbs	17.80 lbs

	PANEL CUTOUT DIMENSIONS	
	WX15	WX17
Height	11.2"	13.0"
Width	14.5"	16.0"

Mechanical Drawing



All measurements are in inches and pounds, unless noted. Picture and drawings are not to scale.
 Estimated weight may change depending on additional options.
 Dynics reserves the right to change, modify, upgrade or discontinue to its discretion any part of this datasheet without any prior notice.

For more drawings of other models email us at: sales@dynics.com

Visit us online at:
www.dynics.com

DYNICS
 4330 Varsity Drive, Ann Arbor, MI 48108
 Ph. 734.677.6100 • Fax: 734-677-6105

