

### Description

The WX front display module is a stud-mounted competitive drop-in replacement front interface module. Replacement for Legacy Ann Arbor Technologies WebLink 15F.

The MTX3 is an industrial computer module, active backplane with 3 slots and high power Micro ATX board. Display bezel comes in two options: Stainless steel or black powder coated.

### Key Features

- Rugged modular steel construction built to order
- Active backplane with 120-240 VAC Power Supply
- Configured in models with 3 Slots



### Specifications

| WX MONITOR DISPLAY |   |                         |
|--------------------|---|-------------------------|
| SPECS              | WX15  | WX17                    |
| Display Size       | 15.1" TFT LCD   | 17.1" TFT LCD           |
| Resolution         | XGA 1024 x 768  | SXGA 1280 x 1024        |
| Viewing Angle      | H:-70°/+70°,V:-65°/+70°   | H:-70°/+70°,V:-65°/+70° |
| Contrast Ratio     | 700:1   | 800:1                   |
| Brightness         | 350 nits  | 300 nits                |
| Bulb Life          | CCFT Back Life estimated to be about 50,000 hours                                   |                         |
| Interface Lens     | 5-Wire analog resistive touch sensor OR Protective lexan lens                       |                         |
| Mounting Bezel     | NEMA 4 Powder coated aluminum OR NEMA 4X stainless steel                            |                         |
| Warranty           | 24 Month Limited Warranty. Extended warranty available, contact us for more details |                         |

| MTX3 CHASSIS MODULE |   |
|---------------------|---|
| SPECS               | MTX3  |
| Expansion Slots     | 3 Slots: [2 PCI + 1 PCI Express] OR [2 PCI + 1 PCI Express x4]  |
| System              | <b>Micro ATX Quad Core/Core 2 Duo:</b> 2x PCI, 1x PCI Express, 1x Ethernet, 4x USB, 2x RS232, 2x PS/2, Audio<br><b>Micro ATX Intel Core 2 Duo:</b> 2x PCI, 1x PCI Express x4, 1x PCI Express x16, 2x Ethernet, 4x USB, 4x RS232 |
| CPU                 | Core 2 Duo, Mobile Duo Core, Quad Core  |
| Operating System    | Windows XP Pro, Windows XP Embedded, Windows 2000, Windows Vista, Windows 7, ROMDOS   |
| Memory              | 1.0Gb to 2Gb DDR or DDR2  |
| Storage Drives      | 2.5" SATA or PATA Hard Drives / 2.5" Solid State Drives / Industrial Compact Flash Cards  |
| Media Drives        | Slim DVD/DVD-RW/CD/CD-RW  |
| Power Supply        | 1U 120~240 VAC Power Supply or Open Frame Fanless 24VDC Power Supply  |
| Temperature         | 0°~50°C (32°~122°F) Operating / -25°~60°C (-4°~140°F) Non-Operating   |
| Relative Humidity   | 10% ~ 95% Non-Condensing  |
| Shock               | 10G Operating / 15G Non-Operating   |
| Vibration           | 1.0G from 57-2000 Hz Operating / 2.5G from 57-2000 Hz Non-Operating   |
| Warranty            | 24 Month Limited Warranty. Extended Warranty Available, Contact Us For More Details   |

# WX-MTX3



## Integrated Industrial Panel PC

## DATASHEET

### Dimensions



#### DISPLAY FRONT DIMENSIONS

|               | WX15  | WX17  |
|---------------|-------|-------|
| <b>Height</b> | 12.1" | 14.1" |
| <b>Width</b>  | 15.3" | 17.1" |

#### MOUNTING DEPTH DIMENSIONS

|             | WX15 | WX17 |
|-------------|------|------|
| <b>MTX3</b> | 8.0" | 8.0" |



#### PANEL CUTOUT DIMENSIONS

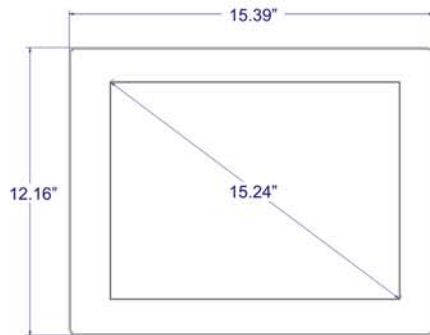
|               | WX15  | WX17  |
|---------------|-------|-------|
| <b>Height</b> | 11.3" | 13.1" |
| <b>Width</b>  | 14.6" | 16.1" |

#### WORKSTATION WEIGHTS

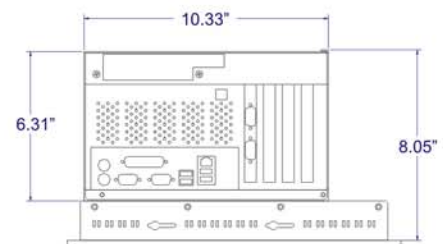
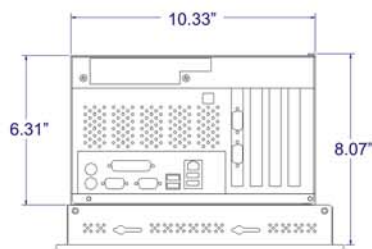
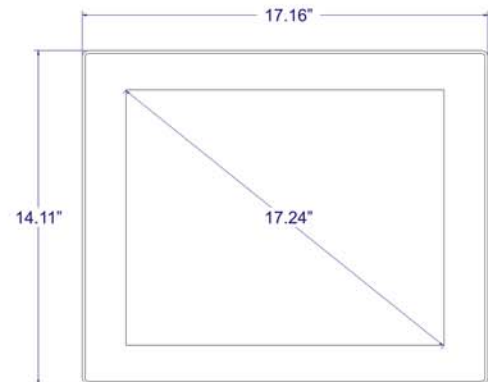
|             | WX15      | WX17      |
|-------------|-----------|-----------|
| <b>MTX3</b> | 26.55 lbs | 30.45 lbs |

### Mechanical Drawing

WX15-MTX3



WX17-MTX3



All measurements are in inches and pounds, unless noted. Picture and drawings are not to scale.  
 Estimated weight may change depending on additional options.  
 Dynics reserves the right to change, modify, upgrade or discontinue to its discretion any part of this datasheet without any prior notice.

For more information email us at: [sales@dynics.com](mailto:sales@dynics.com)

Visit us online at:  
[www.dynics.com](http://www.dynics.com)

**DYNICS**

4330 Varsity Drive, Ann Arbor, MI 48108  
 Ph. 734.677.6100 • Fax: 734-677-6105

