

XiJ



XiJ | INDUSTRIAL AI COMPUTER MODULE

DYNICS XiJ is a compact AI computer built with no moving parts and is equipped with an aluminum heatsink in an IP50 sealed form factor, featuring the NVIDIA Jetson Xavier NX module. The XiJ brings AI supercomputing power to the industrial edge environment in a compact and rugged package.

- Fanless (No Moving Parts)
- Aluminum Heatsink
- IP50 Rating
- Black Powder Coating
- Optional Drip Shield to meet IP52 standards
- 24VDC Power Entry (4-Pin Quick Disconnect)

COMPUTER I/O

1Gb Ethernet Port
 USB 3.0 Ports
 HDMI 2.0 Ports

CPU/ CPU SPEED

MEMORY STORAGE

GPU

MAX GPU FREQUENCY

DL ACCELERATOR

DLA MAX FREQUENCY

VISION ACCELERATOR

AI PERFORMANCE

OPERATING SYSTEM

POWER SUPPLY

TEMPERATURE

RELATIVE HUMIDITY

SHOCK RESISTANCE

VIBRATION

COMPLIANCE

WARRANTY

XiJ

2x

2x

2x

6-Core Nvidia Carmel ARM® v8.2 64-bit CPU
 6MB L2 + 4 MB L3, up to 1900 MHz

8GB 128-bit LPDDR4x, 51.2GB/s
 16GB eMMC 5.1

NVIDIA Volta Architecture with 384 NVIDIA CUDA® Cores and 48 Tensor Cores
 1100 MHz

2x NVDLA Engines

1100 MHz

7-Way VLIW Vision Processor

21 TOPS (INT8)

LINUX Ubuntu and Windows 10 Enterprise LTSC 2019

24VDC Power Entry (4-Pin Quick Disconnect Included)

Operating: 0°-50°C | 32°-122°F

Non-Operating: -25°-60°C | -13°-140°F

Non-Condensing: 20% - 80%

Operating: 10G

Non-Operating: 15G

Operating: 1.0G from 57~2000Hz

Non-Operating: 2.5G from 57~2000Hz

EU: RoHS Directive 2011/65/EU, EN 50581

24-Month limited warranty. Extended warranty available, contact DYNICS for more details.



XiJ



XiJ DIMENSIONS, WEIGHT AND POWER CONSUMPTION

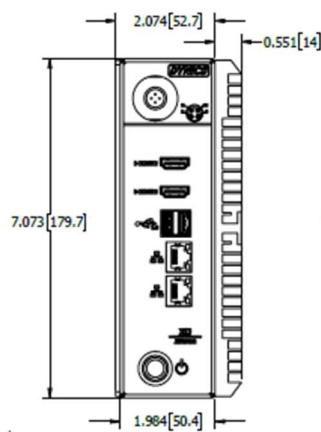
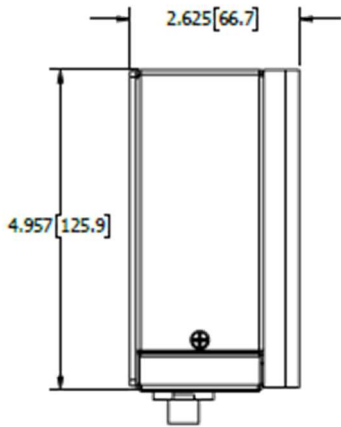
	HEIGHT	WIDTH	DEPTH	WEIGHT	POWER CONSUMPTION
XiJ	7.1" (179.0mm)	2.63" (66.7mm)	4.99" (126.7mm)	3.0 lbs.* (1.4 Kgs.)*	Input Current: 24VDC (TBD Watts)**

* Weights are approximate, contact DYNICS for details.

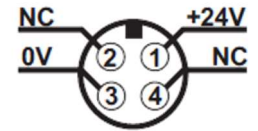
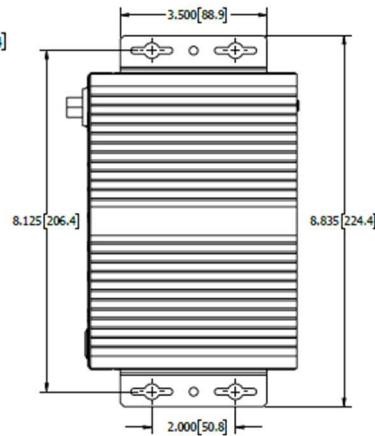
** Power consumption is based on maximum ratings; actual ratings vary significantly based on components used.

XiJ MECHANICAL DRAWINGS

TOP VIEW



POWER INPUT



XiJ



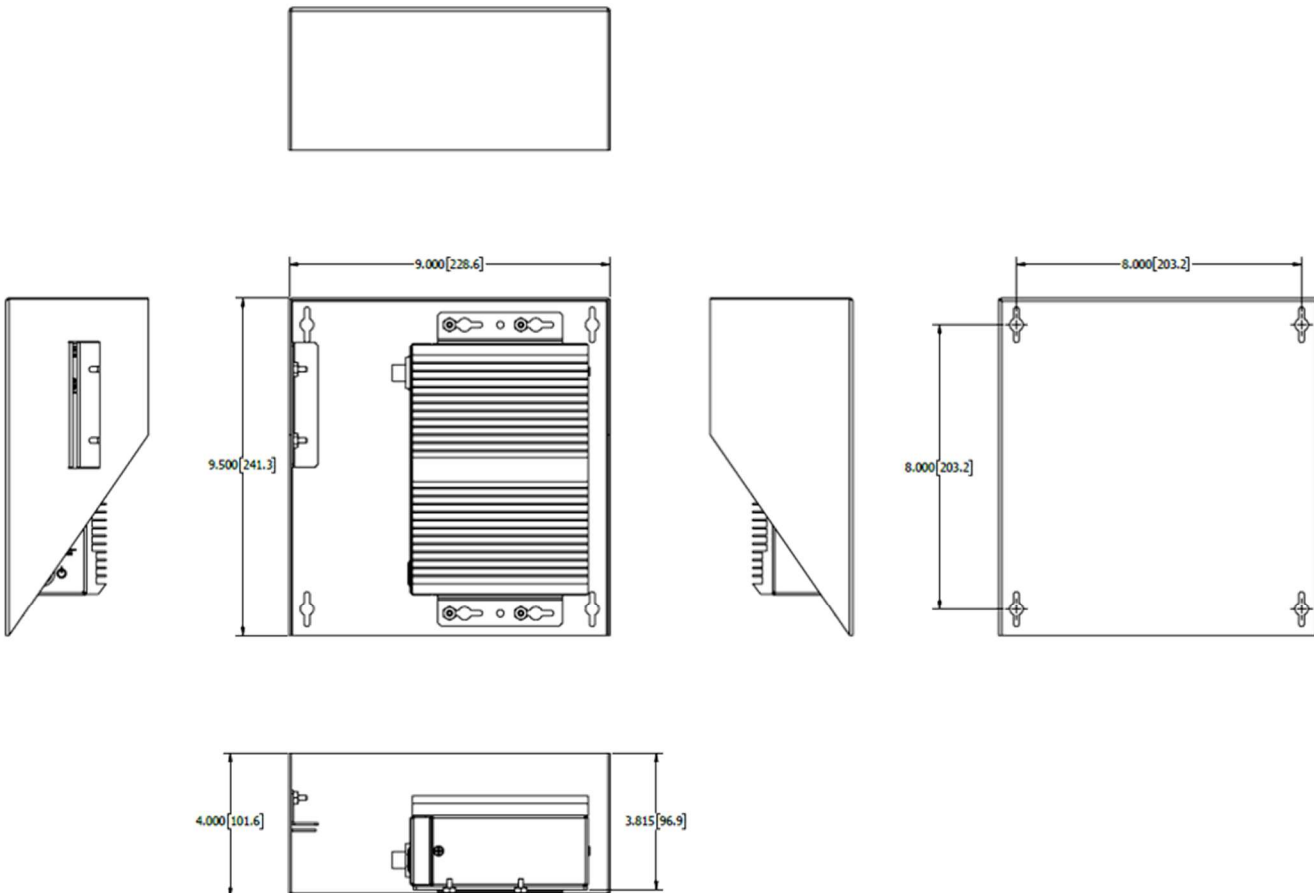
XiJ DRIP SHIELD DIMENSIONS AND WEIGHT

	HEIGHT	WIDTH	DEPTH	WEIGHT
XiJ DRIP SHIELD	9.5" (241.3mm)	9.0" (228.6mm)	4.0" (101.6mm)	3.0 lbs.* (1.4 Kgs.)*

* Weights are approximate, contact DYNICS for details.

** Power consumption is based on maximum ratings; actual ratings vary significantly based on components used.

XiJ DRIP SHIELD MECHANICAL DRAWINGS



All measurements are in inches and pounds, unless noted. Pictures and drawings are not to scale. Estimated weight may change depending on options. DYNICS Reserves the right to change, modify, upgrade, or discontinue any part of this datasheet without any prior notice.