

XiR



XiR2/XiR4 | IP50 INDUSTRIAL COMPUTER MODULE

DYNICS XiR is a compact computer built with no moving parts and equipped with an aluminum heatsink in an IP50 sealed form factor, featuring an AMD® RYZEN™ Embedded V1605B processor. With your choice of operating system, storage and optional Wi-Fi this is a great option for many industrial applications needing a high level of performance. The XiR series ships ready to install on a standard Din Rail. Additional panel and shelf mount brackets are included.

- Fanless (No Moving Parts)
- UL Listed
- Aluminum Heatsink
- IP50 Rating
- Graphite Grey & Black Power Coating

PC SPECIFICATIONS

COMPUTER I/O PORTS	XiR2	XiR4	XiR4S
1Gb Ethernet Ports	2x	4x	2x
SFP Ethernet Ports (SFP modules not included)	-	-	2x
USB 3.0 Ports	2x	2x	2x
USB 2.0 Ports	4x	2x	2x
RS232/422/485 Ports	2x	2x	2x
HDMI Ports	4x	4x	4x
CPU	AMD® RYZEN™ V1605B		
CPU SPEED	Up to 3.6GHz, 6MB Cache (4 cores, 8 threads)		
MEMORY	Up to 32GB DDR4		
STORAGE	256GB-2TB Solid State SATA Flash Drive [easily removable drive option (-RSSD) available] 256GB-1TB M.2 2280 Solid State Flash Drive		
OPERATING SYSTEM	- Windows® 10 Enterprise IoT LTSB 2016 (64-bit) (Code: E10) - Windows® 10 Pro (64-bit) (Code: W10) - Windows® 10 Enterprise IoT LTSC 2019 (64-bit) (Code: E19) - Windows® 11 Pro (64-bit) (Code: W11) - Windows® 10 Enterprise IoT LTSC 2021 (64-bit) (Code: E21) - Linux® Ubuntu® (Code: LUB)		
POWER SUPPLY	24VDC Power Entry (3-Pin Quick Disconnect Included) [Contact Dynics for External Power Supply Options]		
OPTIONAL TEMPERATURE	Dual Wi-Fi 2.4 GHz (Dual Antennas)		
RELATIVE HUMIDITY	Operating: 0°-50°C 32°-122°F Non-Operating: -25°-60°C -13°-140°F		
SHOCK RESISTANCE	Non-Condensing: 20% - 80%		
VIBRATION	Operating: 10G Non-Operating: 15G		
COMPLIANCE	Operating: 1.0G from 57~2000Hz Non-Operating: 2.5G from 57~2000Hz		
WARRANTY	USA: UL Listed, UL 61010-1+UL 61010-2-201, IEC 61010-1:2010/AMD1:2016/COR1:2019 Canada: CUL Listed, CSA C22.2 No. 61010-1-12+CSA C22.2 No. 61010-2-201, ICES-001 / NMB-001, Class A EU: RoHS Directive 2011/65/EU, EN 63000:2018, EN 61326-1:2013, EN 61010-1:2010, EN 61010-1:2010/A1:2019, EN IEC 61010-2-201:2018 FCC 47CFR Part 15 Class A		
OPTIONAL ACCESSORIES	24-Month limited warranty. Extended warranty available, contact DYNICS for more details.		
	PWR-24V-BRK-65W-3PIN	65 Watt AC to DC Desktop Brick Power Supply, 6 Ft US AC Power Cable, 3-PIN DC Cable	
	PWR-24V-5ADC-ECO-RAIL	ECO-RAIL-2 Industrial DIN Rail Mount 120 W Power Supply, 90-130/173-264 VAC Input, 24VDC, 5.0ADC Output	



DIMENSIONS, WEIGHT AND POWER CONSUMPTION

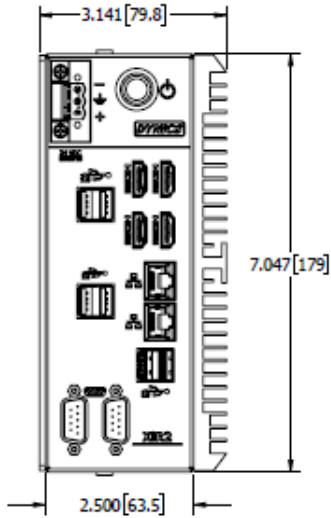
	HEIGHT	WIDTH	DEPTH	WEIGHT*	POWER CONSUMPTION**
XiR2 /4/ 4S	7.1" (180.3mm)	3.15" (80.0mm)	5.1" (129.5mm)	3 lbs. (1.4kg)	65 Watts
XiR2 /4/ 4S - RSSD Option	7.1" (180.3mm)	3.9" (99.1mm)	5.1" (129.5mm)	3.5 lbs. (1.6kg)	65 Watts

XiR

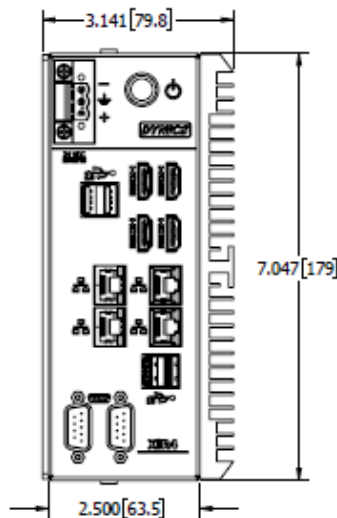


MECHANICAL DRAWINGS

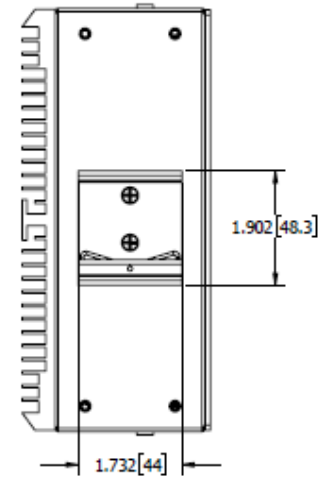
XIR2 FRONT VIEW



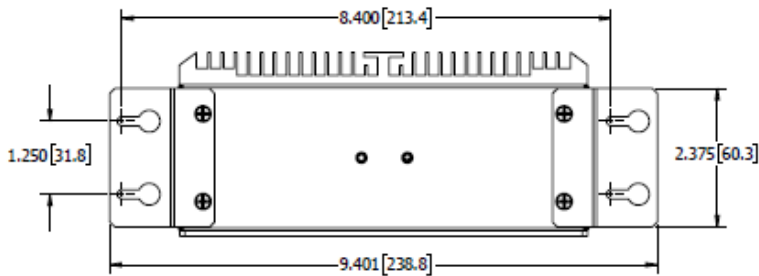
XIR4 FRONT VIEW



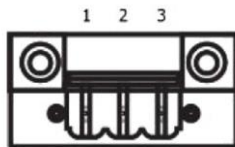
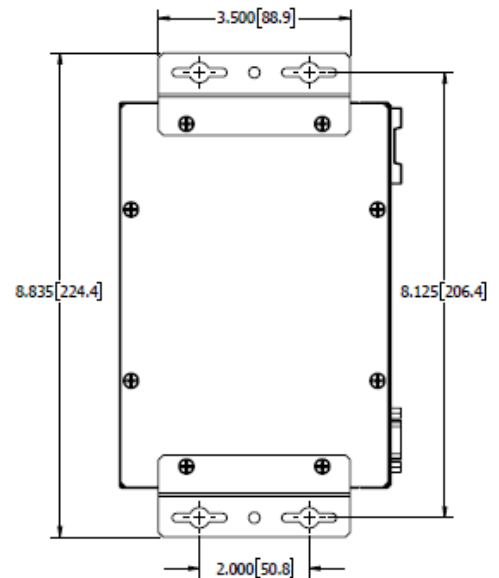
BACK VIEW (DIN Mount)



BACK VIEW (w/ Panel Mount Brackets)



SIDE VIEW (w/ Shelf Mount Brackets)



PIN 1: V+
 PIN 2: \perp (Chassis GND)
 PIN 3: V-

All measurements are in inches and pounds, unless noted. Pictures and drawings are not to scale. Estimated weight may change depending on options. DYNICS Reserves the right to change, modify, upgrade, or discontinue any part of this datasheet without any prior notice.

* Weights are approximate, contact DYNICS for details.

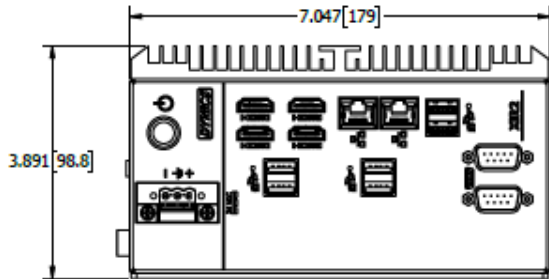
** Power consumption is based on maximum ratings; actual ratings vary significantly based on components used.

XiR-RSSD

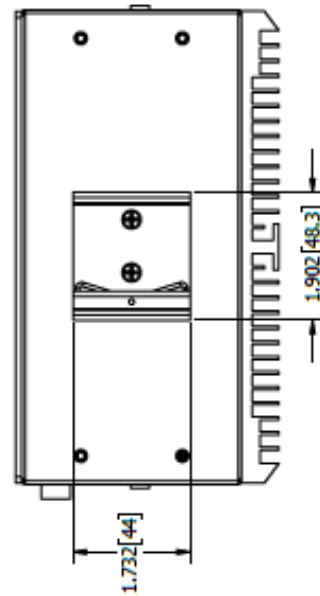


XIR2/4-RSSD MECHANICAL DRAWINGS

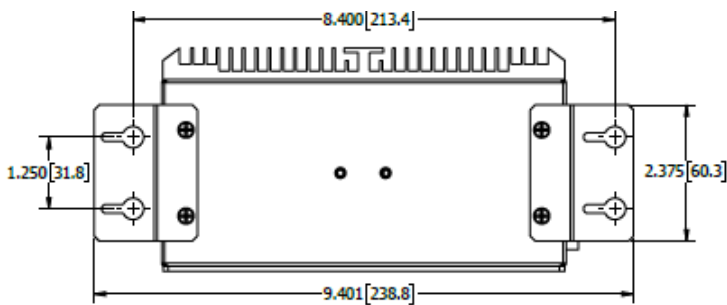
FRONT VIEW (XIR2 shown)



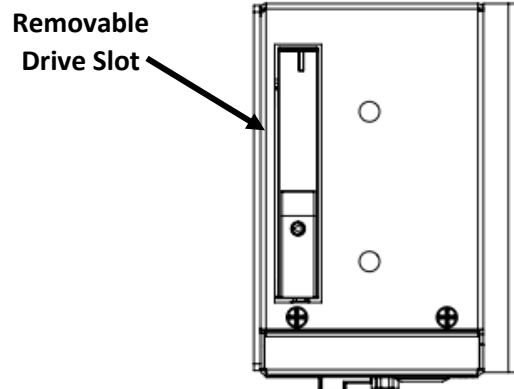
BACK VIEW (DIN Mount)



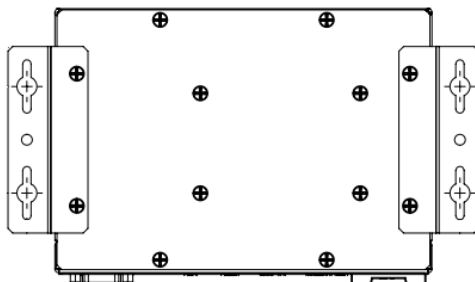
BACK VIEW (w/ Panel Mount Brackets)



TOP VIEW (Showing Removable Drive)



SIDE VIEW (w/ Shelf Mount Brackets)



All measurements are in inches and pounds, unless noted. Pictures and drawings are not to scale. Estimated weight may change depending on options. DYNICS Reserves the right to change, modify, upgrade, or discontinue any part of this datasheet without any prior notice.

