

SC-UPS60P-IP20



UPS | Uninterruptible Power Supply

DYNICS SC-UPS60P is designed to protect and backup sensitive electronic equipment. Maintenance free, with a 10-year life span, uninterruptible power supply, and an automatic switchover. The SC-UPS60P can proficiently protect, secure and safely back-up your computer(s), in case of a power outage.

Key Features

- IP20 Ports
- LED Indicators
- Battery Free
- Part Number: **SC-UPS60P-IP20**
- Low Heat Development
- 10 Year Life at 50°C Ambient Temperature
- Over Voltage, Under Voltage and Reverse Voltage Protection
- Over 70% Increase in Capacity From Previous UPS35P Model
- 50% Increase in Output Current From Previous UPS35P Model
- Maintenance Free
- Lead Free
- Environmentally Friendly
- UL Listed
- Designed in Michigan

SPECIFICATIONS

INPUT VOLTAGE	
Nominal	24VDC
Range	21.6 – 26.4VDC
OUTPUT	
Current Rating	6A UPS 6A Aux
Voltage	24VDC
Capacity	9000 Watt Seconds New Out of Box 6000 Watt Seconds After 10 Years at 50°C
Runtime	1A / 252 Seconds 2A / 126 Seconds 4A / 63 Seconds 6A / 42 Seconds
Ambient Temperature	Operating: -20° - 50°C (-4° - 131°F) Non-Operating: -25° - 60°C (-13° - 140°F)
Relative Humidity	Non-Condensing: 20% - 80%
Shock	Operating: 10G Non-Operating: 15G
Vibration	Operating: 1.0G from 57~2000Hz Non-Operating: 2.5G from 57~2000Hz
Compliance	- USA: UL Listed, UL61010-1+UL 61010-2-201, FCC 47CFR Part 15 Class A - Canada: cUL Listed, CSA C22.2 No. 61010-1-12+CSA C22.2 NO. 61010-2-201, ICES-001, Class A - EU: RoHS Directive 2011/65/EU, EN 50581, EMC Directive 2014/30/EU, EN 61326-1, Low Voltage Directive 2014/35/EU, EN 61010-1+EN 61010-2-201
Warranty	24-Month limited warranty. Extended warranty available, contact DYNICS for details.



SC-UPS60P-IP20



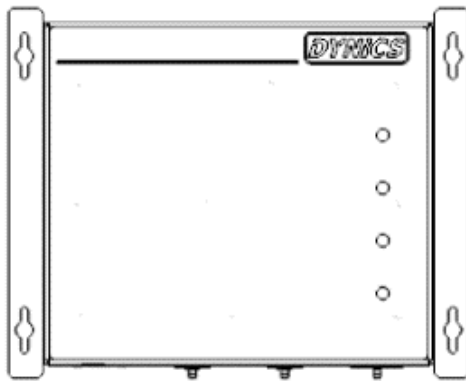
DIMENSIONS AND WEIGHTS (With Brackets)

	HEIGHT	WIDTH	DEPTH	WEIGHT
SC-UPS6000	4.586" (116.5mm)	9.989" (253.7mm)	8.000" (203.2mm)	5 lbs.* (2.27kg)

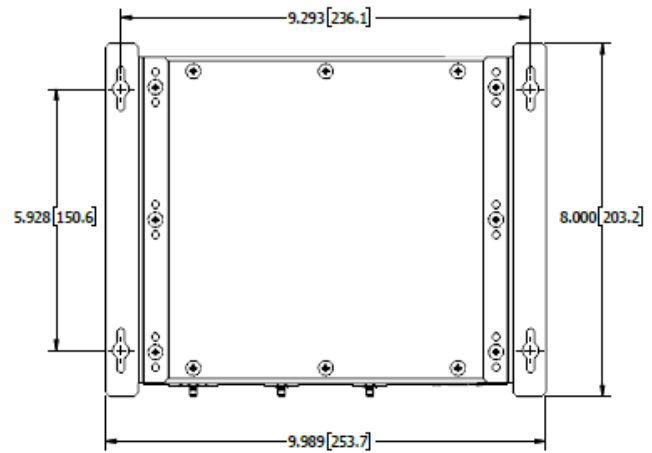
* Weights are approximate, contact DYNICS for details.

MECHANICAL DRAWINGS

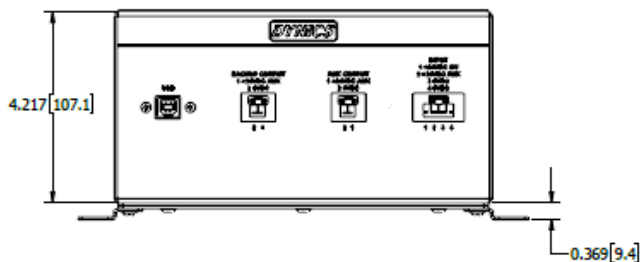
Top View



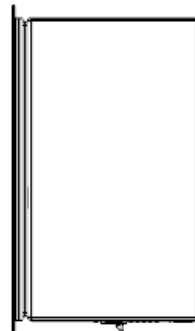
Bottom View



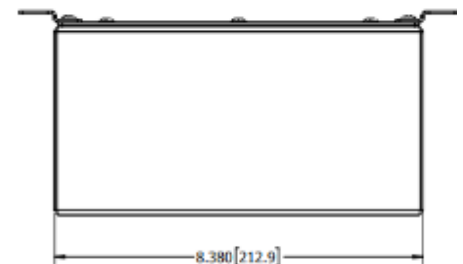
Front View



Side View



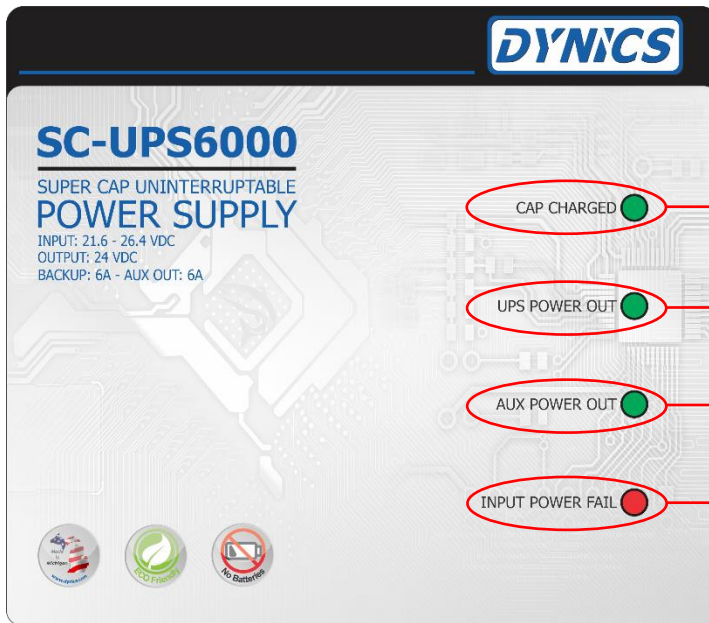
Back View







SC-UPS60P-IP20



LAMINATION LEGEND

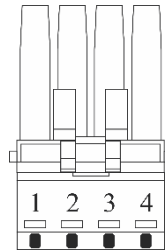


-  **CAP CHARGED** → **Charged 90% or Higher**
-  **UPS POWER OUT** → **Primary Output Active**
-  **AUX POWER OUT** → **AUX Output Active**
-  **INPUT POWER FAIL** → **Power Fail**

Pins

Input:

- 1 + 24VDC BU
- 2 + 24VDC AUX
- 3 0VDC BU
- 4 0VDC AUX

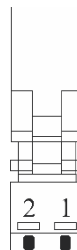


AUX Output:

- 1 + 24VDC AUX
- 2 0VDC

Backup Output:

- 1 + 24VDC AUX
- 2 0VDC



All measurements are in inches and pounds, unless noted. Pictures and drawings are not to scale. Estimated weight may change depending on options. DYNICS reserves the right to change, modify, upgrade, or discontinue any part of this datasheet without any prior notice.